

VSThermo thermal insulation profile

VST 50x30

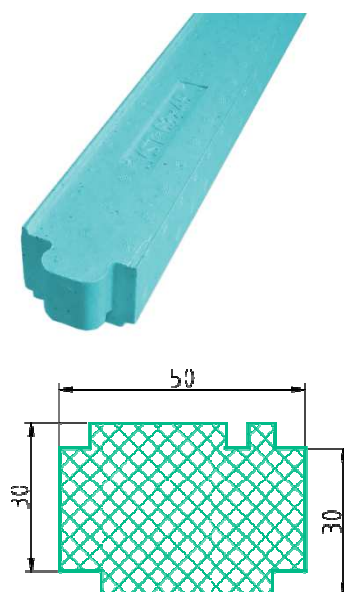
Scope of application:

As a support profile of metal-plastic and aluminum windows and translucent frames to improve the thermophysical properties of the lower junction.

Properties:

- two work surfaces

Specifications:



Material	EPS
Color	Green
Density	150 kg / m ³ +/-5%
Thermal conductivity EN 13163:2019	0,04 W / (m·K)
Linear dimensions	50x35x1200
Compressive strength (10% of linear deformation) EN 13163: 2019	1900 kPa
Fire resistance EN 13501-1: 2016	Class E
Water absorption during prolonged full immersion, % by volume EN 13163:2019	0,5%
EPS-EN 13163-L1-W2-T2-S2-P4-CS(10)1900-WL(T)0,5	

Important information:

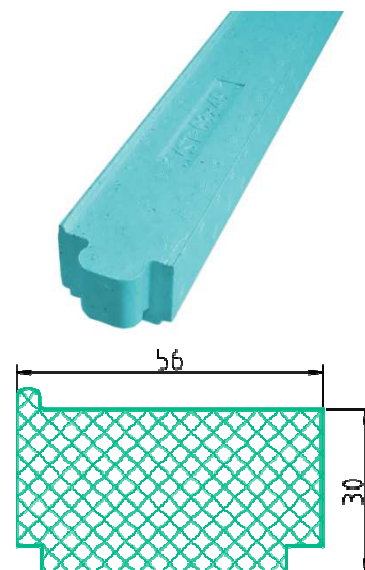
- Products undergo strict quality control.
- The information provided in the technical data sheet takes into account our own experience and test results.
- Given the wide range of possible applications of the product, we recommend that you make sure of its suitability before use.
- The information provided in the data sheet does not exempt the user from safety regulations.
- This data sheet replaces all previous versions and is valid until a new version is published.
- If you have any questions, please contact us at the phone number provided.

VSThermo thermal insulation profile

VST 56x30

Scope of application:

As a support profile of metal-plastic and aluminum windows and translucent frames to improve the thermophysical properties of the lower junction. As a frame extender.



Properties:

Specifications:

Material	EPS
Color	Green
Density	150 kg / m ³ +/-5%
Thermal conductivity EN 13163:2019	0.04 W / (m * K)
Linear dimensions	56x30x1200
Compressive strength (10% of linear deformation) EN 13163: 2019	1900 kPa
Fire resistance EN 13501-1: 2016	Class E
Water absorption during prolonged full immersion, % by volume EN 13163:2019	0,5%
EPS-EN 13163-L1-W2-T2-S2-P4-CS(10)1900-WL(T)0,5	

Important information:

- Products undergo strict quality control.
- The information provided in the technical data sheet takes into account our own experience and test results.
- Given the wide range of possible applications of the product, we recommend that you make sure of its suitability before use.
- The information provided in the data sheet does not exempt the user from safety regulations.
- This data sheet replaces all previous versions and is valid until a new version is published.
- If you have any questions, please contact us at the phone number provided.

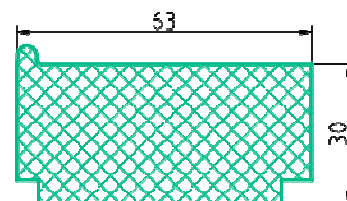
VSThermo thermal insulation profile

VST 63x30

Scope of application:

As a support profile of metal-plastic and aluminum windows and translucent frames to improve the thermophysical properties of the lower junction.

As a frame extender and for the arrangement of thermal barrier under the doorway.



Properties:

Specifications:

Material	EPS
Color	Green
Density	150 kg / m ³ +/-5%
Thermal conductivity EN 13163:2019	0.04 W / (m * K)
Linear dimensions	63x30x1200
Compressive strength (10% of linear deformation) EN 13163: 2019	1900 kPa
Fire resistance EN 13501-1: 2016	Class E
Water absorption during prolonged full immersion, % by volume EN 13163:2019	0,5%
EPS-EN 13163-L1-W2-T2-S2-P4-CS(10)1900-WL(T)0,5	

Important information:

- Products undergo strict quality control.
- The information provided in the technical data sheet takes into account our own experience and test results.
- Given the wide range of possible applications of the product, we recommend that you make sure of its suitability before use.
- The information provided in the data sheet does not exempt the user from safety regulations.
- This data sheet replaces all previous versions and is valid until a new version is published.
- If you have any questions, please contact us at the phone number provided.

VSThermo thermal insulation profile

VST 69x30

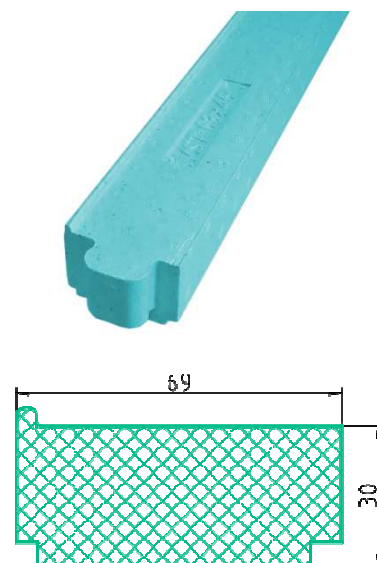
Scope of application:

As a support profile of metal-plastic and aluminum windows and translucent frames to improve the thermophysical properties of the lower junction.

As a frame extender and for the arrangement of thermal barrier under the doorway.

Properties:

Specifications:



Material	EPS
Color	Green
Density	150 kg / m ³ +/-5%
Thermal conductivity EN 13163:2019	0.04 W / (m * K)
Linear dimensions	69x30x1200
Compressive strength (10% of linear deformation) EN 13163: 2019	1900 kPa
Fire resistance EN 13501-1: 2016	Class E
Water absorption during prolonged full immersion, % by volume EN 13163:2019	0,5%
EPS-EN 13163-L1-W2-T2-S2-P4-CS(10)1900-WL(T)0,5	

Wichtige Informationen:

- Produkte unterliegen einer strengen Qualitätskontrolle.
- Die Angaben im technischen Datenblatt berücksichtigen unsere eigenen Erfahrungen und Testergebnisse.
- Aufgrund der vielfältigen Anwendungsmöglichkeiten des Produktes empfehlen wir, sich vor dem Einsatz von der Eignung zu überzeugen.
- Die Angaben im Datenblatt entbinden den Anwender nicht von Sicherheitsvorschriften.
- Dieses Datenblatt ersetzt alle vorherigen Versionen und ist gültig, bis eine neue Version veröffentlicht wird.
- Bei Fragen wenden Sie sich bitte unter der angegebenen Telefonnummer an uns.

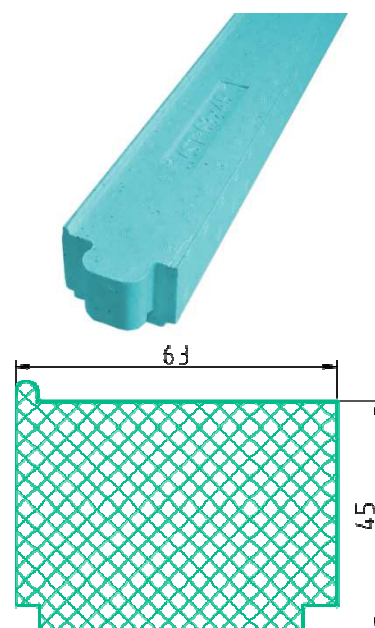
VSThermo thermal insulation profile

VST 63x45

Scope of application:

As a support profile of metal-plastic and aluminum windows and translucent frames to improve the thermophysical properties of the lower junction.

As a frame extender and for the arrangement of thermal barrier under the doorway.



Specifications:

Material	EPS
Color	Green
Density	150 kg / m ³ +/-5%
Thermal conductivity EN 13163:2019	0.04 W / (m * K)
Linear dimensions	63x45x1200
Compressive strength (10% of linear deformation) EN 13163: 2019	1900 kPa
Fire resistance EN 13501-1: 2016	Class E
Water absorption during prolonged full immersion, % by volume EN 13163:2019	0,5%
EPS-EN 13163-L1-W2-T2-S2-P4-CS(10)1900-WL(T)0,5	

Important information:

- Products undergo strict quality control.
- The information provided in the technical data sheet takes into account our own experience and test results.
- Given the wide range of possible applications of the product, we recommend that you make sure of its suitability before use.
- The information provided in the data sheet does not exempt the user from safety regulations.
- This data sheet replaces all previous versions and is valid until a new version is published.
- If you have any questions, please contact us at the phone number provided.

VSThermo thermal insulation profile

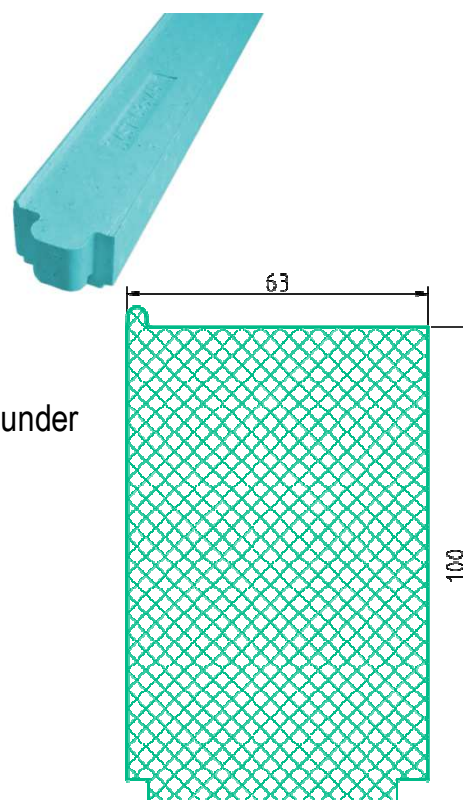
VST 63x100

Scope of application:

As a support profile of PVC and aluminum windows and translucent frames. For the arrangement of thermal barrier under the doorway, sliding systems and windows frames.

Properties:

Specifications:



Material	EPS
Color	Green
Density	150 kg / m ³ +/-5%
Thermal conductivity EN 13163:2019	0,04 W / (m * K)
Linear dimensions	63x100x1180
Compressive strength (10% of linear deformation) EN 13163: 2019	1900 kPa
Fire resistance EN 13501-1: 2016	Class E
Water absorption during prolonged full immersion, % by volume EN 13163:2019	0,5%
Working dimensions	63x100x1180
EPS-EN 13163-L1-W2-T2-S2-P4-CS(10)1900-WL(T)0,5	

Important information:

- Products undergo strict quality control.
- The information provided in the technical data sheet takes into account our own experience and test results.
- Given the wide range of possible applications of the product, we recommend that you make sure of its suitability before use.
- The information provided in the data sheet does not exempt the user from safety regulations.
- This data sheet replaces all previous versions and is valid until a new version is published.
- If you have any questions, please contact us at the phone number provided.